



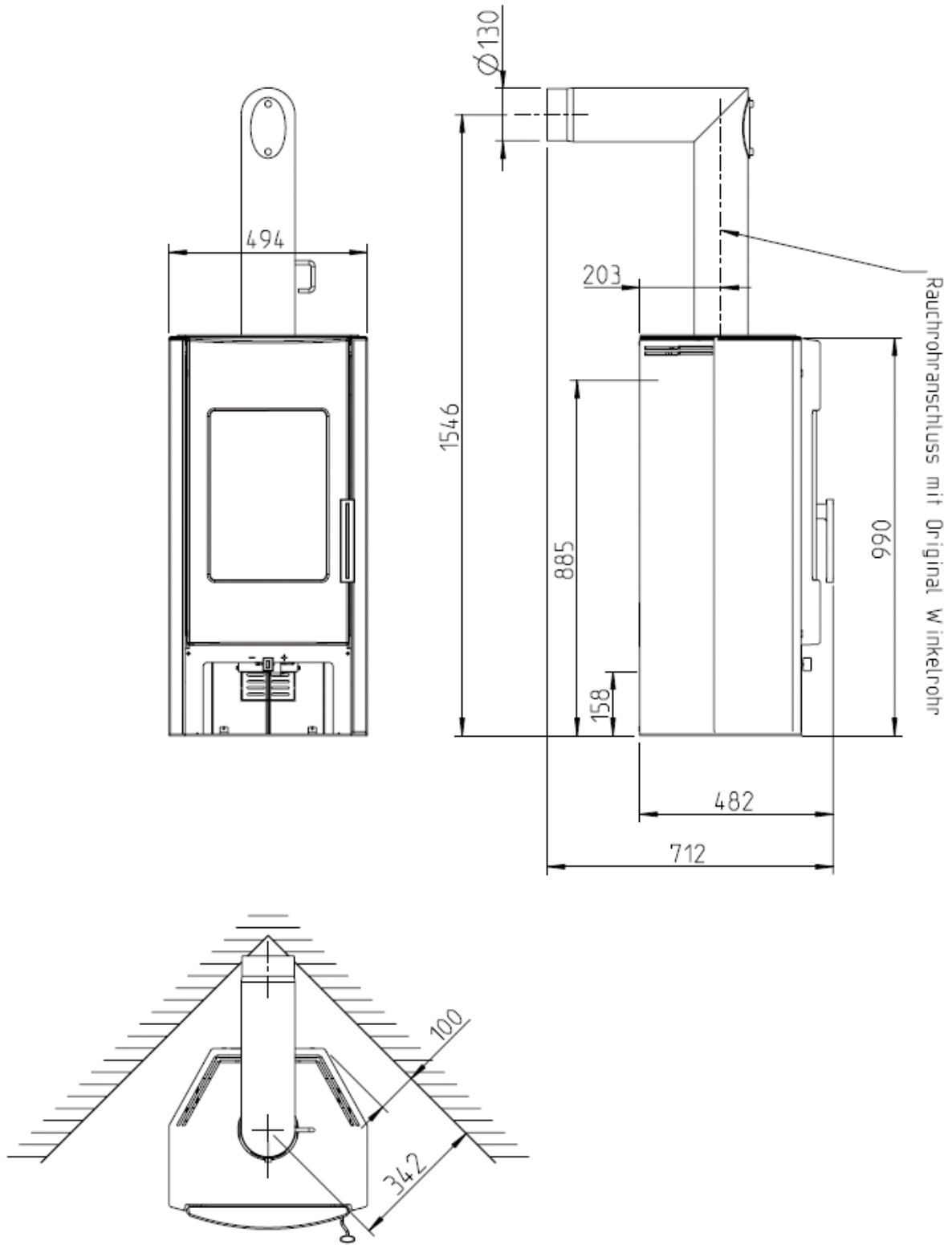
TEMA

Instruction Manual

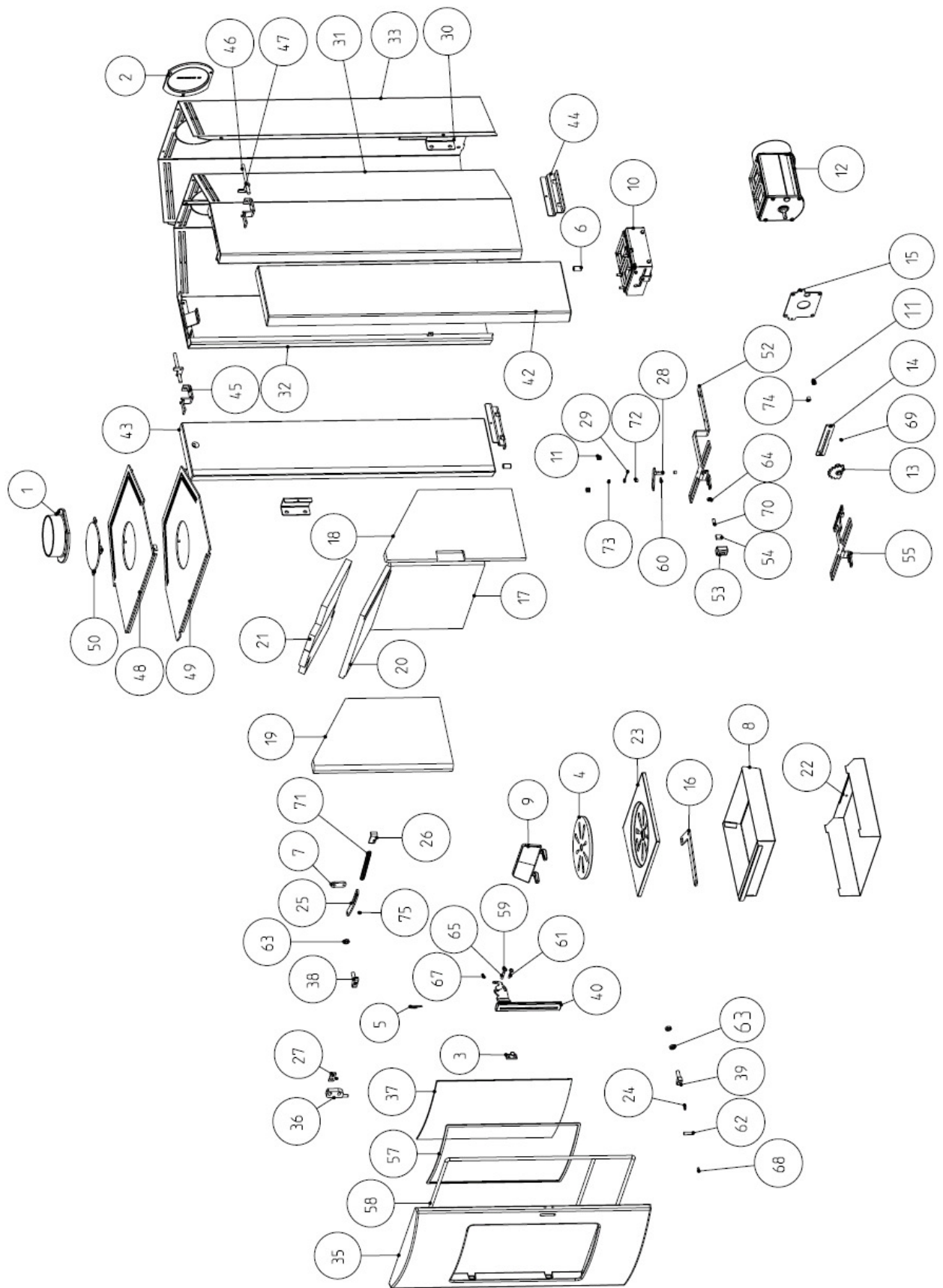




DIMENSIONS



SPARE PART OVERVIEW



SPARE PART OVERVIEW

Item	Designation	Article No.	Item	Designation	Article No.
1	Flue pipe connection	Z10020	37	Door glass	Z34177
2	Cooking cover	Z10021	38	Hinge top	Z34175
3	Door closure	B12322	39	Hinge bottom	Z34178
4	Shaker disk	Z25948	40	Front door handle complete	B16340
5	Glass holder	L00475	42	Soapstone right	Z34186
6	Bolt	Z32642	43	Soapstone left	Z34188
7	Adjusting plate	L01136	44	Stone leveller	B16437
8	Ash pan	L00867	45	Stone holder	B16438
9	Wood retainer	Z33583	46	Fixing shaft	Z34187
10	Air intake regulator	B16029	47	Stone holder	L01807
11	Teflon spacer	Z33757	48	Lid soapstone	B16348
12	Air regulation (room air independent)	B16017	49	Lid steel casing	B16341
13	Gear shaft (room air independent)	B16187	50	Top lid (connection rear)	B16355
14	Guide plate (room air independent)	Z33951	52	Grid actuator	Z34173
15	Guide Plate bracket (room air independent)	Z33952	53	Regulator handle	Z34174
16	Grate arm	L01403	54	Handle insert	Z34205
17	Front liner rear	Z33705	55	Grid actuator (room air independent)	Z34190
18	Front liner right	Z33706	57	Flat gasket 8x2 adhesive	103693
19	Front liner left	Z33707	58	Gasket rope Dm 12	100485
20	Deflector plate bottom	Z33712	59	Disc spring Dm 12,5	108908
21	Deflector plate top	Z33713	60	Disc spring Dm 16	100699
22	Ash pan base	L01412	61	Grub screw M5	111637
23	Shaker grate	Z33681	62	Grub screw M8	111696
24	Door support plate	L01413	63	Hexagonal head nut M10	100483
25	Door stop plate	L01414	64	Hexagonal head nut M08	106283
26	Spring holder	L01415	65	Cylinder pin	111791
27	Door stop base plate	L01416	67	ISK screw M03	111790
28	Locking arm	L01493	68	Set screw M05	111789
29	Leg spring	Z33858	69	Set screw M05	104060
30	Rear panel bracket soapstone	Z34203	70	Sprung pressure piece	111727
31	Steel casing right	B16353	71	Tension spring	111545
32	Steel casing left	B16354	72	Spacer	Z10037
33	Rear panel soapstone	Z34204	73	Spacer	Z26185
35	Front door	Z34049	74	Spacer	Z28059
36	Hinge plate	L01800	75	Spacer	Z28501

CONTENTS

Dimensions.....	3
Spare part overview.....	4-5
Explanations to symbols	6
Packaging	7
Technical data	7
1. Important information	
General warning and safety information	8
Prior to set-up	8
2. A small study of heating	
Suitable fuels	10
Fuel quantities	10
Maximum fuel quantity	10
Clean combustion	11
Burning wood	11
3. Installation of the stove	
Connecting the stove	12
Connecting an external combustion air infeed	12
4. Operation	
Fire lighting	13
Ash pan	14
Slide control (ideal position)	14
Functional diagram of slide control	14
5. Assembly options	
Retrofitting flue pipe connection top to reverse connection	15
6. Maintenance and cleaning	
General maintenance	16
Surface – texture and cleaning	16
Convection air opening	16
Cleaning the flue gas pipes	16
7. Problem solutions	
What to do if	17
8. Warranty	
Warranty	18
Warranty card.....	19-20

EXPLANATIONS TO SYMBOLS

Important notification



Practical advice



Use plan for help



PACKAGING

Your first impression is important to us!
The packaging of your new stove provides excellent protection against damage. However damage to the stove and accessories may still occur during transport.



Therefore please check your stove on receipt for damage and completeness! Report any deficiencies to your dealer immediately! Pay particular attention during unpacking that the stone panels remain intact. Scratches to the material can easily occur. Natural stone is excluded from the warranty.

The packaging of your new stove is environmentally neutral to a great extent.



The wood used in the packaging has not been surface treated and may therefore be burnt in your stove. The cardboard and film (PE) can be disposed of via the municipal waste collection for recycling.

Exhaust values for multiple use of the chimney according to DIN 4705 or to dimension the chimney according to DIN 4705.

Exhaust mass flow	5,6 g/s
Exhaust temperature	217,4 °C
Minimum feed pressure at rated useful heat	12 Pa

The owner of small firing systems or the person authorised for the small firing system is to keep the technical documentation and is to submit it to the authorities or the chimney sweep on request.



TECHNICAL DATA

As a stove of type 1, connection to a chimney already used by other stoves for solid or liquid fuels is possible as long as the chimney dimensions do not contradict this according to DIN 4705 (Part 3).

TECHNICAL DATA	
Dimensions (mm) and weights (kg)	
Height:	990
Width:	494
Depth of the corpus	482
Weight with steel casing:	132 kg
Weight with soapstone casing:	164 kg
Flue pipe outlet diameter:	130
Rated useful heat according to EN13240:	6 kW
Smallest thermal output	3 kW
Room-heating capacity depending on house insulation	70 - 160m ³
Fuel flow	1,6 kg/h
Efficiency	83,2 %
CO ₂ content	9,6 %
CO emission rel. 13 % O	774 mg/Nm ³
Dust emissions	22 mg/Nm ³

1. IMPORTANT INFORMATION



Please read these instructions before installation and operation. Observe the national provisions and laws as well as the regulations and rules applicable locally.

GENERAL WARNING AND SAFETY INFORMATION

Observe the introductory general warning information

- Read the entire manual thoroughly before putting the stove into service.
- Only approved transport equipment with sufficient load carrying capacity may be used with your heating appliance.
- Your heating appliance is not suitable for use as a ladder or stationary scaffolding.
- The burning of fuel releases heat energy that leads to extensive heating of the stove surfaces, doors, door and operating handles, glass, flue pipes and possibly the front wall. Refrain from touching these parts without appropriate protective clothing or equipment e.g. heat-resistant gloves or means of operation (cold hand).
- Make your children aware of this particular danger and keep them away from the stove during heating.
- Only burn the approved material listed in the Chapter "Clean combustion".
- The combustion or introduction of highly flammable or explosive materials such as empty spray cans etc. in the combustion chamber and storing them near the stove is strictly prohibited due to the danger of explosion.
- No light or inflammable clothing is to be worn when post-heating.
- Placing non-heat resistant objects on the stove or near it is prohibited.
- Do not place clothing on the stove to dry.
- Stands for drying clothes etc. must be placed at a sufficient distance to the stove due to the danger of fire!
- When your stove is burning, the use of highly inflammable and explosive materials in the same or adjacent rooms is prohibited.

PRIOR TO SET-UP

1.1 Floor bearing capacity:

Ensure that the substructure is capable of bearing the weight of the stove prior to set-up.

Modifications to the firing installation may not be performed. This leads to loss of warranty and guarantee.

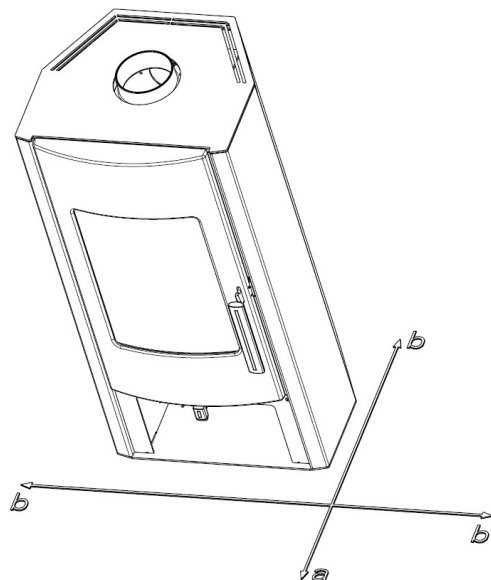
SAFETY DISTANCES (minimum distances)

1. To non-flammable objects

a > 400 mm b > 100 mm

2. To flammable objects and reinforced concrete bearing walls

a > 800 mm b > 200 mm



1.2 Flue pipe connection

Flue pipes pose a particular source of hazard regarding gas leaks and fire. Get the advice of an authorised specialist company for the layout and assembly.

Please observe the corresponding installation guidelines for walls panelled with wood when connecting your flue pipes to the stove,

- 1.3 Observe the formation of flue gas (atmospheric inversion) and draughts when the weather is unfavourable.

Infeed of too little combustion air can lead to smoke in the rooms or to flue gas leaks. Hazardous deposits in the stove and chimney may also occur.

If flue gas escapes, let the fire burn out and check whether all the air inlet openings are free and the flue gas pipes and the stove pipe are clean. If in doubt notify the master chimney sweep since draught malfunctions may be connected to your chimney.

- 1.4 Push the embers together to form a firebed when you add new fuel.
- 1.5 Only use suitable tools when handling embers and make sure that no embers fall out of the combustion chamber onto inflammable material.
- 1.6 Use the equipment supplied to open the doors of your stove, e.g. heat-resistant gloves.

1.7 **Stoves type 1 (BA 1):**

These may only be operated with the combustion chamber door closed.

- 1.8 The combustion chamber door may only be opened to add fuel and must then be closed again otherwise other firing installations connected to the chimney may be endangered. The combustion chamber door is to be kept closed when the stove is not in operation.

- 1.9 Fouling of the chimney i.e. deposits of highly inflammable materials such as soot and tar and subsequently fire in the chimney may occur if wet fuel is used and operation is damped too much.

If this occurs phone the fire brigade and get yourself and other residents out of harm's way.

Note: The size of the combustion chamber door makes it necessary, particularly with post-heating when ablaze, not to open the door too abruptly to prevent the tips of the flames reaching out.



Important information on ROOM-AIR DEPENDENT and ROOM-AIR INDEPENDENT OPERATION:

Your stove has been tested as a room-air dependent stove according to EN 13240 and does not conform in Germany to the requirements for room-air independent operation. In combination with room-air installations (e.g. controlled ventilation systems, extractor systems etc.) it must be ensured that the stove and the room-air system are monitored and safeguarded mutually (e.g. via a differential pressure regulator etc.). The combustion air infeed of approx. 40 m³/h must be ensured. Please observe the respective local regulations and rules in consultation with your master chimney sweep.

2. A SMALL STUDY OF HEATING

SUITABLE FUELS AND FUEL QUANTITIES

Your stove is generally suitable for burning dry firewood. You can also burn fuels such as wood briquettes.

Only use dry fuel (moisture content between 14 and 18 %). Burning waste of any kind, particularly plastic, damages your stove and chimney and is prohibited by the emission reduction laws.

FUEL QUANTITIES

The stove is fitted with a construction-specific flat firebox. This means only one layer of fuel may be laid on the base embers.

Please observe that adding greater quantities of fuel leads to emission of more heat and greater heating of the stove than it is designed for. This may cause damage to your stove.



WOOD TYPES

Different types of wood have different fuel values. Deciduous wood is particularly suitable. It burns with a constant flame and forms long-lasting embers. Coniferous wood has higher levels of resin and burns off faster as do all softwoods and tends to spray sparks.

Wood type	Fuel value Kwh/ m3	Fuel value Kwh/kg
Maple	1900	4.1
Birch	1900	4.3
Beech	2100	4.0
Oak	2100	4.2
Alder	1500	4.1
Ash	2100	4.2
Spruce	1700	4.4
Larch	1700	4.4
Poplar	1200	4.1
Robinia	2100	4.1
Fir	1400	4.5
Elm	1900	4.1
Willow	1400	4.1

MAXIMUM FUEL QUANTITIES

Wood:

2 logs of approx. 0,8 kg

Wood briquettes (broken):

2 pieces of approx. 0,8 kg

Your stove's performance is regulated via the slide control. This slide control must be used according to your own experience since your stove output also depends on the chimney draught.

Use the heat-resistant glove when operating the slide control.

The riddle grate lever (page 4-5, part 16) may only be operated with the riddle hook.

Facing the challenges of our times means assuming responsibility. Maintaining our natural world is now one of our most important tasks. Our products represent developments according to the state of the art. This is the main precondition for clean, efficient and problem-free working of our stoves.

CLEAN COMBUSTION

Clean combustion requires:

1. DRY AND UNTREATED FIREWOOD.

Guideline between 14 % and 18 % relative wood moisture.
Wood stored dry and ventilated for 2 – 3 years.



A stove is not a waste incinerator. The warranty lapses if waste or non-approved materials such as plastic, treated wood etc. are burnt! This leads to damage to the stove and chimney and environmental pollution!

2. THE RIGHT QUANTITY OF FIREWOOD AND FIREWOOD DIMENSIONS

- Too much firewood leads to overheating. This stresses the material too much and leads to poor flue gas values.

Too little firewood or logs being too large means the stove does not reach optimum operating temperature. The flue gas values are also poor in this case.

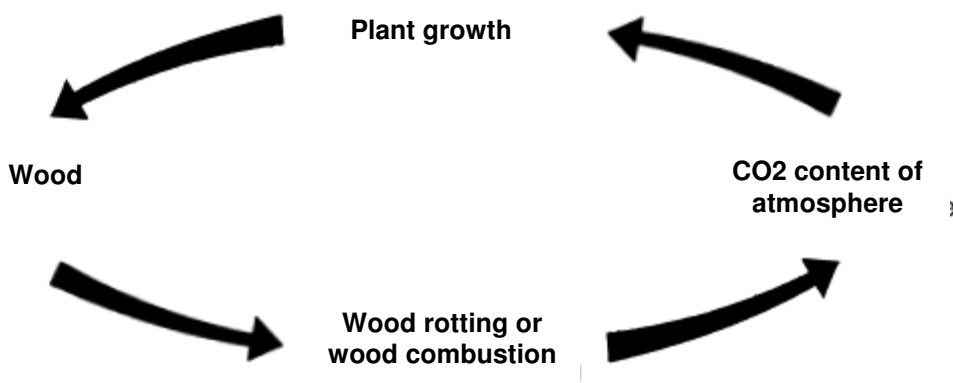
- The right quantity of firewood is:
For wood ≈ 1,6 kg (2 logs - 25 cm long) per layer (guideline) for rated heating value.
For minimum thermal output ≈ 0,8 kg (1 log - 25 cm long)

Note: Only wood and wood briquettes may be burnt in your stove. Plastics, treated wood (e.g. chipboard), coal and textiles may not be burnt.



BURNING WOOD

The clean burning of wood represents the same chemical process as natural rotting, i.e. the CO₂ (carbon dioxide) released does not additionally increase or burden the original CO₂ content in the atmosphere.



3. INSTALLATION OF THE STOVE



Ensure that the deflector plate (page 4-5, part 20) is correctly positioned prior to initial commissioning and after relocation, cleaning and service work. The damper flap must be open in the flue pipe.

Ensure with this stove that the chimney draught reaches at least the value specified (10 Pa). If there are any problems with this, contact your master chimney sweep.

CONNECTING THE STOVE

Proceed as follows for new connections in a brick-built chimney:

1. Measure and mark out the stove connection (take into consideration any floor plate thickness) according to natural dimensions.
2. Chisel out (drill) the hole in the brickwork.
3. Brick in the wall liner.

Seal the wall liner first with mineral rock wool. Render with heat-resistant cement mortar or equivalent.

4. Position the floor plate with floor protection (cardboard) once the mortar has set and after painting.
5. The stove can now be carefully lifted onto the floor plate.

The stove should not be pushed on unprotected floors.



Strong corrugated cardboard or e.g. old carpet is useful to assist assembly and as a base. The stove can also be pushed on this cardboard or carpet.

We recommend original flue pipes from RIKA for proper connection.

The connection may not project into the chimney shaft! Seal the gap between flue pipe and wall liner with ceramic sealer.

The installation must conform to the respective safety and building regulations.

Please contact your master chimney sweep in this context. He will be pleased to inform you.

If you use a system chimney (e.g. glazed fireclay) we would ask you follow the manufacturer's connection instructions closely.

EXTERNAL COMBUSTION AIR INLET (OPTIONAL)

- Connect to the intake nozzle a pipe Ø125 (e.g. steel spiral or HT pipe) and fix this with a pipe clamp (not included in scope of supply!)

- To ensure sufficient air intake, the line should not be longer than 4 m and should not have any bends.

- If the line leads outside it must have a windbreak.

Note:

Please note that problems may arise due to updrafts in the case of combustion air supply from an integrated chimney ventilation shaft. If the combustion air flowing downwards is heated it may rise and thus counter the chimney with a resistance which in turn reduces the negative pressure in the combustion chamber. The chimney manufacturer is to guarantee that the resistance for the combustion air is a maximum 2 Pa even in the least favourable operating state of the chimney.

4 . O P E R A T I O N

FIRE LIGHTING

To reduce the emission of pollutants as far as possible, we ask you to observe the following instructions for the sake of the environment.

1.

If the stove and chimney are still cold or if there is atmospheric low pressure, we recommend burning some paper initially to remove the cold from the stove and chimney.

2.

To light the fire, place uncoated paper at the bottom of the combustion chamber, then 0.5 kg softwood chippings and 1 kg wood (3 small logs). Set the slide control to the right to fire lighting setting; primary and secondary air are completely open. (See page 14 for functional diagram of slide control)

Please do not use glossy paper or paper from magazines. It does not burn well and the printing inks create highly toxic substances in the flue gas.

3.

Now ignite the paper. Wait until the softwood chippings are burning well.

Set the slide control to middle some minutes later. The primary air is now closed and the secondary air completely open. Set the slide control to ideal position for burn-off after some minutes.

(see: page 14 for functional diagram of slide control)

4.

Add approx. 1,6 kg wood (2 logs) after the first burn-off, depending on the thermal output required. Not return the slide control to fire lighting position, the primary air is open completely, until the wood is burning well. The regulate burn-off again as described in Point 3.

Proceed in the same way every time you place more wood on the fire.

NOTE:

If a lot of smoke develops when wood is placed on a low firebed and if the slide control is only opened then, an explosive gas/air mixture may arise and cause a deflagration. It is recommended for safety reasons to start fire lighting again.

5.

The mineral content of the wood (approx. 1 %) remains at the bottom of the combustion chamber as the residue. This is an excellent fertiliser for all plants in the garden; it is a completely natural product.

The ash should be stored first and extinguished with water.



THE STOVE COATING ONLY CURES COMPLETELY ON INITIAL USE DUE TO THE HEAT

- Do not touch the surface during heating. It is still soft.
- Our coatings are harmless according to TÜV report; a hazard to health can be ruled out. However, we recommend airing the flat after initial heating several times.
- Heat the stove extensively - this shortens the curing time.
- The curing of the surface is complete after some proper heating processes.

Please see Chapter 2 for all information on the composition of firewood and correct heating.

ASH PAN

(Page 4-5, part 8)

The ash pan is to be emptied regularly to prevent excessive heat loading of the grate.

Never heat the stove without the ash pan. Hazard of overheating and loss of warranty.



Caution: The ash may contain remaining embers. Therefore do not put ash in flammable containers and do not place the ash drawer on flammable surfaces.

SLIDE CONTROL (IDEAL POSITION)

(Page 4-5, part 53)

Fuel	Wood/wood briquettes
Primary air	Closed (0 %)
Secondary air	2/3 closed (66 %)

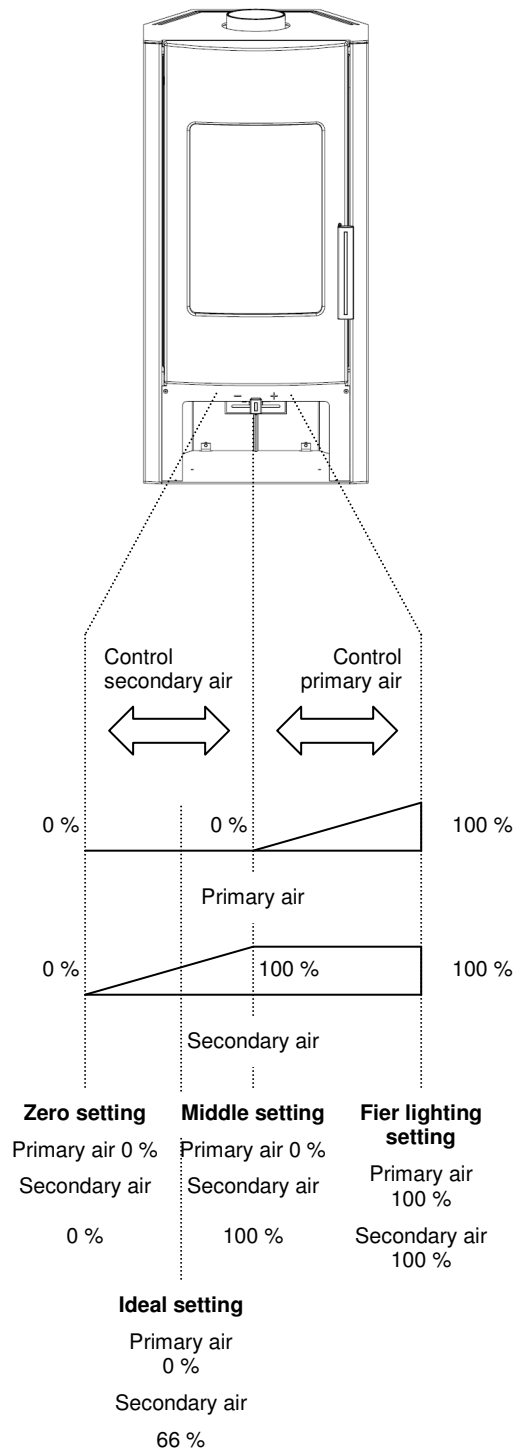
The fire lighting position may only be used for fire lighting and for a few minutes after adding fuel.

The slide control must be used according to your experience since the performance of your stove also depends on the chimney (the ideal position stated is only a basic guideline).



Note: Air regulator seals to 100 %. Complete closure of the air regulator (zero setting of slide control) during operation leads to hazard of deflagration and is strictly prohibited.

FUNCTIONAL DIAGRAM OF SLIDE CONTROL



There is a lever on the rear of the wood handle that serves as a stop to prevent complete closure of the slide control. The air regulator can be closed by pressing the lever forwards. Complete closure is only permitted when cold; it is strictly prohibited during operation (deflagration hazard).



5. ASSEMBLY OPTIONS

RETROFIT FLUE GAS PIPE TOP TO REVERSE CONNECTION

- Remove the two screws, which fixes the lid (page 4-5, part 48/49) on the top of the rear panel (page 4-5, part 31/32/33).
- Lift up the rear panel slightly and pull it out backwards from the front anchorage.
- Cut out the pre-stamped, round section in the rear wall with a metal cutting saw blade.
- Swap the flue connections and the cooking cover (parts 1 & 2, page 4-5)
- Screw the top cover (page 4-5, part 50) with the attached nuts and washers on the weld studs.
- Place the rear panel from slightly backwards back into position and fix the panel with the two screws on the rear wall.

6. MAINTENANCE AND CLEANING

GENERAL MAINTENANCE

Your stove has been designed by our development team for minimum maintenance and very long service life. However some cleaning and checking of seals is necessary from time from time.

The periods between inspections depend in particular on the quality of firewood you use and the frequency of use.

All maintenance and cleaning work is only to be performed on completely cooled stoves.

JUST TO RECAP

Only use wood that has been stored well, is dry and untreated. Use the correct quantity of wood.

Poor quality fuel may more than double the amount of maintenance work necessary.

SURFACE TEXTURE AND CLEANING

The glass in the doors can be cleaned using RIKA glass cleaner. RIKA glass cleaner is available from stove dealers. Moist firewood may be the cause of excessive sooting of the glass.

The stove surface is heat resistant and may only be cleaned with a cloth (possibly moist).

Only use original coating for repairs; this is available from your specialist dealer. Do not clean the coating prior to the first heating!

CONVECTION AIR OPENINGS

Suction off any dust deposits from the convection air openings at regular intervals.

The stove should be cleaned thoroughly prior to the start of the heating season to prevent excess odour.

CLEANING THE FLUE GAS PIPES

(1 yearly)

- Remove the flue pipes

- Any soot and dust deposits in the stove and pipes can be brushed off and suctioned off.

- Check the seals of the combustion chamber and the ash drawer at the beginning and end of a heating period.

If these are damaged or worn, please order a replacement set.

Only intact seals ensure your stove works perfectly.



7. PROBLEM SOLUTIONS

WHAT TO DO IF ..

Problem	Reason	Solution
1. Ceramic glass soots over too quickly	<ul style="list-style-type: none"> →Poor air movement →Incorrect regulation →Too much fuel →Moist wood 	<p>Always: Every glass plate must be cleaned from time to time (depending on use) with RIKA glass cleaner</p> <p>Clarification with chimney sweep (possible raising of chimney)</p> <p>Regulate according to instructions for slide control (if secondary air is closed, the glass plate soots over very quickly, but burns off again if operation is correct)</p> <p>See "Maximum fuel quantities"</p> <p>See "Clean burning", possibly use wood briquettes (are evenly dry)</p>
2. Stove does not draw properly	<ul style="list-style-type: none"> →Chimney draught insufficient →Stove is sooted over inside 	<p>See "A small study of heating"</p> <p>See "Maintenance and cleaning"</p>
3. Stove does not start burning properly	<ul style="list-style-type: none"> →Weather influence →Incorrect heating up 	<p>See "Fire lighting"</p> <p>See "Fire lighting"</p>
4. Stove smells strongly and smokes outside	<ul style="list-style-type: none"> →Burning-in phase →Stove is dusty/dirty 	<p>See "Operation" (curing of coating)</p> <p>See "Convection air openings"</p>
5. Coating does not cure	<ul style="list-style-type: none"> →Burning-in phase was not completed properly 	<p>See "Operation" (curing of coating)</p>
6. Flue gas discharge when wood is added and during heating	<ul style="list-style-type: none"> →Chimney draught too low, flue pipe connection leaky 	<p>Check connections and if necessary re-seal</p>

If you do not obtain a proper solution to your problem despite this information, contact your specialist dealer or master chimney sweep.

8 . W A R R A N T Y

These warranty conditions apply to Austria, Germany and Switzerland.

For the purpose of timely damage limitation, the warranty claim on the part of the claimant is to be enforced at the RIKA dealer in writing using the invoice and stating the purchase date, model name, serial number and reason for complaint.

WARRANTY

5 years on the welded stove body. The warranty only covers defects in materials and workmanship as well as delivery of spare parts free of charge. Labour and travel times are not included in the manufacturer's warranty.

Only use spare parts recommended or supplied by the manufacturer. Loss of warranty on non-observance!

The precondition for the warranty is that the stove has been installed and commissioned properly according to the Instructions for Use valid at the time of purchase. Connection must be performed by a specialist for such stoves.

The warranty excludes WEARING PARTS such as glass, coating, surface coatings (e.g. handles, panels), seals, fire trough, grates, draught plates, deflector plates, combustion chamber liners (e.g. fireclay), ceramics, natural stone, ignition elements, sensors, combustion chamber sensors and temperature controller.

Damage arising from non-observance of the manufacturer's instructions for operation of the unit is also excluded (e.g. overheating, use of non-approved fuels, incorrect intervention in the stove, electrical excess voltage, a chimney draught set incorrectly for the stove, non-performance or deficient maintenance and cleaning, incorrect operation by the user or third parties, etc.) or caused by such.

Any costs incurred by the manufacturer due to unjustified warranty claims are to be charged to the claimant.

THE WARRANTY DOES NOT AFFECT THE STATUTORY WARRANTY PROVISIONS.



GUARANTEE / GARANTIE

Dealer's stamp / Cachet du revendeur:

Date of purchase / Date d'achat:

Product name / Nom du modèle

Installed from / Branché du:

Number of type plate on the backside of the stove:
Numéro de plaque signalétique au verso du fourneau:

Serial number / Numéro de série



GARANTIE / GARANZIA

Händlerstempel/Timbro del rivenditore:

Kaufdatum/Data d'acquisto:

Modellname/Nome modello:

angeschlossen von/allacciato da:

Nummern des Typenschildes auf der Ofenrückseite:
Numeri della targa modello sul retro della stufa:

Serien Nr./Nr. serie:



Z34185 – 2010/11/30

GUARANTEE / GARANTIE

Customer/Client:

Stamp
Marque

To/A:

GARANTIE / GARANZIA

Kunde/Cliente

Marke
Marca

An/A